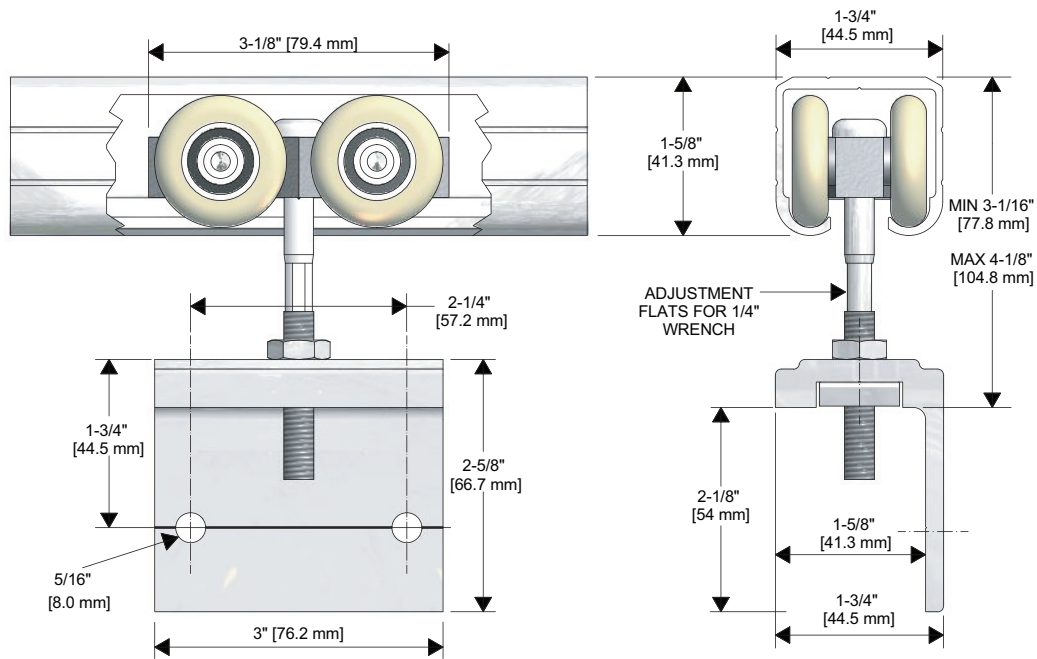


C-103-4



KEY FEATURES:

- Top & Face mount hanger (**C-103-4**)
- Heavy-duty Steel hanger for Single, Bi-parting, By-Passing, Pocket or Wall Mounted doors.
- Provides secure grip for heavy loads.
- Four Precision Ground Ball Bearing, Nylon Tire Wheels.
- Use with Extruded Aluminum **C-104** Track, 6063T5 Alloy
- Load Capacity **200lbs. (two hangers)**



Part Number:		Part Description:	
Customer Name:	Job Number/Name:	Date:	Provided By:
Notes:			